

# Installation & Wiring Instructions

## NLP/2/HI/WP200-R - High Output High Current Remote Conversion Kit

**PLEASE READ** THESE INSTRUCTIONS BEFORE COMMENCING INSTALLATION & LEAVE WITH END USER

### Description:

The Liteplan range of NLP/2/HI/WP200-R packs are designed to convert a wide range of LED types with two versions. The NLP/2/HI/WP200-R is the popular choice for converting most standard LED luminaires and arrays between 10 and 60 Volts, whilst the NLP/2/HI/80/WP200-R extends the range by converting from 10 to 80 Volts.

The modules are designed to be installed by breaking into the low voltage connection between the mains driver and the LEDs and allows the LEDs to be operated as normal under mains healthy conditions and operated at reduced light output in an emergency.

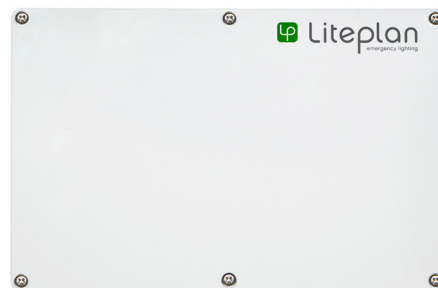
The modules automatically adjust the output LED current to provide the best match between the battery and the load, providing maximum illumination whilst ensuring full battery duration and are compatible with a wide range of lighting. The unit will recharge the batteries after the test of clause 22.3 of BS EN 61347-2-7:2012.

The product features battery temperature protection in accordance with IEC 61347-2-7: 2012+A12:2022.

### Specification:

Input Voltage	230-240 Volts AC 50/60 Hz
Power Rating (Charging) *	3.8W - 23mA - $\lambda = 0.69$
Power Rating (Standby) *	1.3W - 13mA - $\lambda = 0.43$
Insulation between supply & battery	Double Reinforced
Duration	3-hours
Maximum Module Tc	70°C
Minimum Battery Tc	0°C
Maximum Battery Tc	55°C
Maximum Load Current	8A
Recharge Period	24-Hours
Battery Type	6.4V 3.8Ah LiFePO4
Charge Current	225mA Nominal
Discharge Current	900mA nominal
Charge Voltage Limit	7.0 Volts
Discharge Voltage Limit	5.0 Volts
Ingress Protection	IP54
Recharge Period	24-Hours
Enclosure Size (L x W x H)	240mm x 160mm x 90mm
Remote Weight	0.9Kg

\* Following its initial charge, the NLP/2/HI/WP200-R will spend 90% of its operational life in standby mode



**NLP/2/HI/WP200-R** Prated - 4.8W  
Irated - 460-86mA  
Voltage Range 10 - 55 Volts  
Open Circuit Voltage (U-OUT) = 60 Volts

**NLP/2/80/HI/WP200-R** Prated - 4.8W  
Irated - 420-58mA  
Voltage Range 10 - 80 Volts  
Open Circuit Voltage (U-OUT) = 90 Volts

#### Warning

**Avoid running the LED mains driver and emergency pack without the load connected. Failure to do so may result in damage to the LED array**

#### Important

It is recommended that the pack is installed by a competent person ensuring the installation complies with the necessary standards. Liteplan accept no responsibility for injury, damage or loss, which may arise as a result of incorrect installation, operation or maintenance.

The conversion requires an unswitched supply for charging the battery and a switched supply if the unit is being used for maintained operation.

**ISOLATE BOTH MAINS SUPPLIES AND DISCONNECT THE BATTERY BEFORE INSTALLATION OR MAINTENANCE.**

#### Installation

When converting a luminaire observe the following points:-

1. Ensure that the module and battery pack will operate within their temperature ratings at their chosen location.
2. Ensure that the interconnecting loom is kept as short as possible.
3. Ensure that the Permanent Live & Switched Live feeds are connected correctly.
4. Arrange the wiring to avoid running the 240 Volt cables next to the modules output to the LED to obtain the best EMC results.
5. Requirements for 'F' markings must be observed.
6. Identify clearly the NEW Un-switched supply.
7. Ensure the LED Charge Indicator is clearly visible in every day use.
8. Connect the battery connector that can be found under the inspection cover.
9. This module is not intended for use in luminaires for high-risk task area lighting.
10. This module is protected against battery polarity reversal.

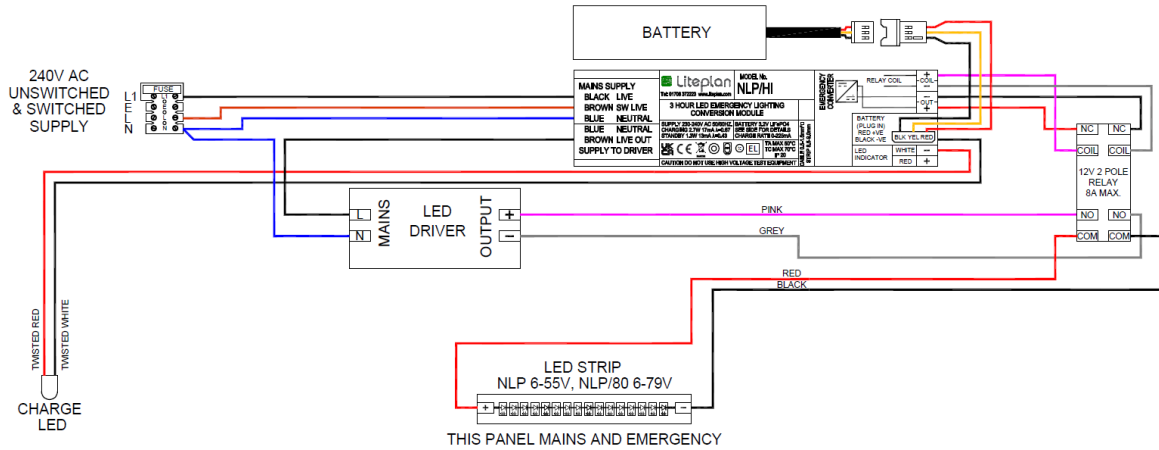
# Installation & Wiring Instructions

## NLP/2/HI/WP200-R - High Output High Current Remote Conversion Kit



**PLEASE READ** THESE INSTRUCTIONS BEFORE COMMENCING INSTALLATION & LEAVE WITH END USER

Typical Conversion Wiring Diagram



### Testing/Commissioning:

- Ensure the load is connected.
- Connect the battery.
- Switch on the Unswitched Supply - Check the Charge LED illuminates.
- Switch on the Maintained Supply - Check the LED illuminates as normal.
- Switch off the Maintained Supply.
- Switch off the Unswitched Supply - Check the Charge LED extinguishes and the load LED illuminates at a reduced output.
- Enter the commissioning date on the Battery Pack. Switch on the Unswitched Supply
- If the battery case temperature falls below 0°C or goes above 55°C the charger will cut-off and the charge LED will go out.

Luminaire Ref/Location		In Case of difficulty, contact the Installation Engineers:- Tel: _____									
Full Recharge Time 24 Hours		Duration 3 Hours				Lamp Type - LED					
ROUTINE TEST RECORD											
	Year 1		Year 2		Year 3		Year 4		Year 5		
	Signed	Date	Signed	Date	Signed	Date	Signed	Date	Signed	Date	
Monthly Test											
Functional											
Functional											
Functional											
Functional											
Functional											
Functional											
Functional											
Functional											
Functional											
Functional											
Three Hour											

Tel +44 (0)1708 372223 | www.liteplan.com | customerservice@liteplan.com | RM3 0AP. UK

Liteplan reserve the right to change colour, price or specification without prior notice