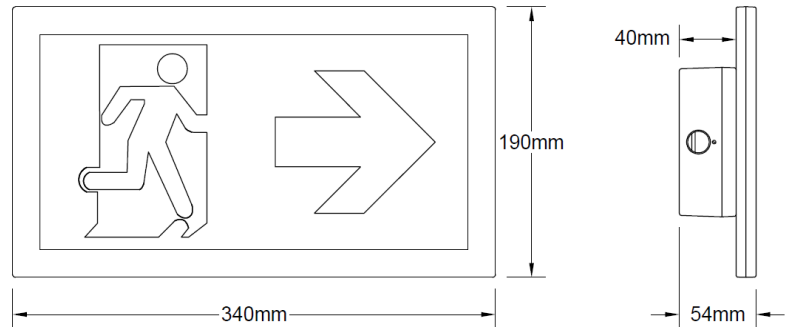


Technical Specification
CE2S -
 Wall Mount Exit Sign
 with Downlight Panel



- Basic, DALI-2 or LiteMesh Wireless Operation
- Surface Mount (Wall)
- White Polycarbonate Body
- Additional Downward Facing Light
- Ingress Protection Rating - IP20 rated
- 30m Viewing Distance
- ISO7010 Legends as Standard
- DDP (Deep Discharge Protection)
- Samsung LED's
- Supplied With a Kit of Legends
- TM65.2 Rating of 21.46kg CO²e

A stylish and compact wall mounting Single Sided LED Exit Sign that can either be surface or semi-recesses mounted. The unit is available in either a Switchable Maintained/Non-Maintained, DALI-2 Self-Test, or a LiteMesh Ready wireless version. The unit comes with a PMMA legend which offers an impressive 30m viewing distance. The luminaire is supplied with a pack of inlay panels which includes Arrow Down (AD), Arrow Left (AL), Arrow Right (AR) and Arrow up (AU).

The batteries used with this unit not only offer double the life of traditional emergency lighting batteries, but consume far less power during their operation.

Order Codes

CE2S/M	Switchable Maintained
CE2S/DA	DALI-2 Type B, Switched Maintained Non-Dimmable, or Self-Test M3/NM3
CE2S/LMEM	LiteMesh Ready Wireless Maintained/Non-Maintained Self-Test

Technical Details:

	CE2S/M	CE2S/DA
Mains Supply	230-240V AC 50/60 Hz	
Power Rating Charging - Maintained *	5.7W 31mA $\lambda = 0.75$	5W 28mA $\lambda = 0.74$
Power Rating Charged *	0.2W 8mA $\lambda = 0.11$	0.28W 8mA $\lambda = 0.14$
Duration	3-Hours	
Recharge Period	24-Hours	
Battery Size & Type	3.2V 3.8Ah LiFePO ₄ Cells	
Charge Current	225mA nominal	
Ingress Protection Rating	IP40	
Weight	1.2Kg	

* Following its initial charge, the unit will spend 90% of its operational life in standby mode