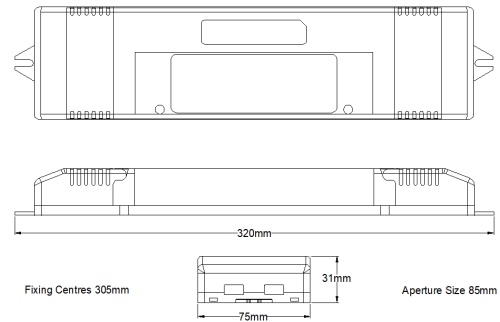


Technical Specification

TNA/2/SP85/R - High Output
High Voltage Remote DALI Self-Test Range



The TNA/2/SP85/R is supplied as a remote conversion kit for mounting away from the fitting. This kit would be used in applications where space inside the fitting is limited.

- DALI Self-Test Conversion Kit
- Deep discharge protection
- Complete Kit Housed in One Enclosure
- Extra Long Life LiFePO₄ Batteries
- Converts LED Loads from 50-300 Volts
- Moulded in High Grade Polycarbonate
- Average Emergency Power of 4.4W
- Operates with LiteMesh Wireless Systems
- 3rd Party Tested and Certified by TÜV

A 3-hour DALI self-test emergency lighting conversion kit which operates with extra long life LiFePO₄ batteries. The unit is designed to suit an extremely wide range of LED types and circuits. The TNA/2/SP85/R automatically adjusts the output LED current to provide the best match between the battery and the load, providing maximum illumination whilst ensuring full battery duration.

There is one version available -

Please note that if mounting this kit more than 1m away from the luminaire, Fire Rated cable must be used to connect the pack to the fitting. (BSEN5266-1)

Order Codes

TNA/2/SP85/R For LED loads, operating in voltage range of 50 - 300 Volts

Unit supplied in single part remote enclosure with cables for simple connection.

Technical Details:

Mains Supply	230-240V AC 50/60 Hz	Max Ta and Tc	Ta - 50 °C - Tc - 70 °C
Power Rating (Charging)	3.8W 21mA $\lambda = 0.77$	Max Battery Temperature	55 °C
Power Rating (Standby)	1.3W 13mA $\lambda = 0.45$	Charge Indicator	Bi-Colour on Flying Lead
Duration	3-Hours	Battery Discharge Current	900mA Nominal
Recharge Period	24-Hours	Discharge Voltage Limit (DDP)	5.0 Volts
Battery Size & Type	6.4V 3.8Ah LiFePO ₄ Cell	Ingress Protection	IP20
Charge Current	225mA Nominal	Terminal - Push Wire	0.5mm ² - 1.5 mm ²
Enclosure Material	Polycarbonate	Dimensions (LxWxH)	320mm x 75mm x 31mm
Weight	1.28Kg		

* After its initial charge, the TNA/2/SP85/R will spend 90% of its operational life in the standby mode

Tel +44 (0)1708 372223 | www.liteplan.com | customerservice@liteplan.com | RM3 0AP. UK

Liteplan reserve the right to change colour, price or specification without prior notice

ISS 200323

