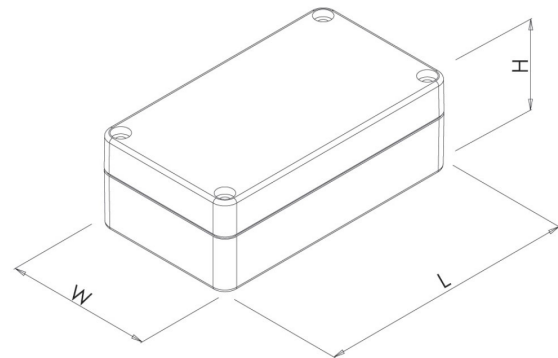
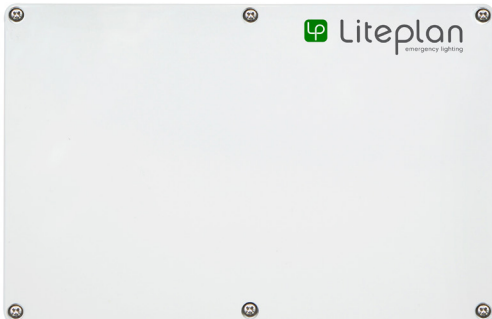


Technical Specification

NLP/2/HI/WP200-R - High Output,
High Current Remote Conversion Range



- IP54 Rated Polycarbonate Enclosure
- Single Piece Remote Enclosure
- Deep Discharge Protection
- Low Power Consumption
- Long Life LiFePO₄ Batteries
- Average Emergency Power - 4.8W
- Passes Through a 200mm Aperture
- Will Operate Loads up to 8A
- Module 3rd Party Tested and Certified by TÜV

There are 2 main versions available -

The NLP/2/HI/WP200-R is supplied as a remote conversion kit designed to be mounted in wet or damp locations, adjacent to the luminaire, where room inside the fitting is limited. This part offers a higher output which is more suitable for higher power luminaires.

A 3 hour emergency lighting conversion kit which operates with Long Life LiFePO₄ batteries. The unit is designed to suit an extremely wide range of LED types and circuits.

The NLP/2/HI/WP200-R automatically adjusts the output LED current to provide the best match between the battery and the load, providing maximum illumination whilst ensuring full battery duration.

The batteries used with this unit not only provide double the life of traditional emergency lighting batteries, but consume far less power during their operational life.

Order Codes

NLP/2/HI/WP200-R For LED loads operating in the Voltage range of 10 - 55 Volts.
For remote use

NLP/2/80/HI/WP200-R For LED loads operating in the Voltage range of 10 - 80 Volts.
For remote use

Technical Details:

Mains Supply	230-240V AC 50/60 Hz	Max Ta and Tc	Ta = 50 °C & Tc = 70 °C
Power Rating (charging)*	3.8W 23mA λ = 0.69	Max Battery Temperature	55 °C
Power Rating (standby)*	1.3W 13mA λ = 0.40	Duration	3-Hours
Battery Discharge Current	900mA nominal	Recharge Period	24-Hours
Discharge Voltage Limit	5 Volts	Ingress Protection	IP54
Battery Size & Type	6.4V 3.8Ah LiFePO ₄ Cell	Charge Current	225mA Nominal
Terminal - Push Wire	0.5mm ² - 1.5 mm ²	Weight	0.9Kg
		Dimensions (LxWxH)	240mm x 160mm x 90mm

* Following its initial charge, the NLP/2/HI/WP200-R will spend 90% of its operational life in standby mode.

Tel +44 (0)1708 372223 | www.liteplan.com | customerservice@liteplan.com | RM3 0AP. UK

Liteplan reserve the right to change colour, price or specification without prior notice

ISS 170323

