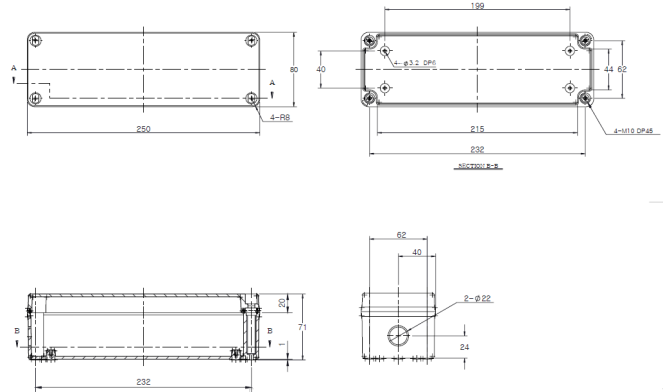


Technical Specification
NLP/1/WP100-R
Remote LED Conversion Range



The NLP/1/WP100-R range is supplied as a remote conversion kit for remote use away from the luminaire in damp or wet locations.

- Slim IP54 Enclosure
- Deep Discharge Protection
- Low Power Consumption
- Long Life LiFePO4 Batteries
- Average Emergency Power - 2W
- Suitable for 100mm (or greater) Aperture
- Module 3rd Party Tested and Certified by TÜV

A 3-hour emergency lighting conversion kit which operates with Long Life LiFePO4 batteries. The unit is designed to suit an extremely wide range of LED types and circuits. The NLP/1/WP100-R automatically adjusts the output LED current to provide the best match between the battery and the load, providing maximum illumination whilst ensuring full battery duration.

There are 2 main versions available -

The batteries used with this unit not only provide double the life of traditional emergency lighting batteries, but consume far less power during their operational life.

Order Codes

NLP/1/WP100-R	For LED loads operating in the Voltage range of 6 - 55 Volts. For remote use
NLP/1/80/WP100-R	For LED loads operating in the Voltage range of 6 - 79 Volts. For remote use

Technical Details:

Mains Supply	230-240V AC 50/60 Hz	Max Ta and Tc	Ta = 50 °C & Tc = 55 °C
Power Rating	3.2W 35mA λ = 0.40	Max Battery Tc	55 °C
Duration	3-Hours	Battery Discharge Current	900mA nominal
Recharge Period	24-Hours	Discharge Voltage Limit	2.4 Volts
Battery Size & Type	3.2V 3.8Ah LiFePO4	Ingress Protection	IP54
Charge Current	225mA nominal	Terminal - Push Wire	0.5mm ² - 1.5 mm ²
Weight	0.65Kg	Dimensions (LxWxH)	250mm x 80mm x 71mm