

# Installation & Wiring Instructions

## Halo Surface Square - Standalone Emergency LED for Surface Mounting

**PLEASE READ** THESE INSTRUCTIONS BEFORE COMMENCING INSTALLATION & LEAVE WITH END USER

### Description:

The Halo Surface Square is a square, standalone 3-hour non-maintained emergency luminaire suitable for surface mounting. The LED is driven at 700mA from a 3.2V 3.8Ah lithium iron phosphate (LiFePO<sub>4</sub>) battery that provides a high output LED in emergency conditions.

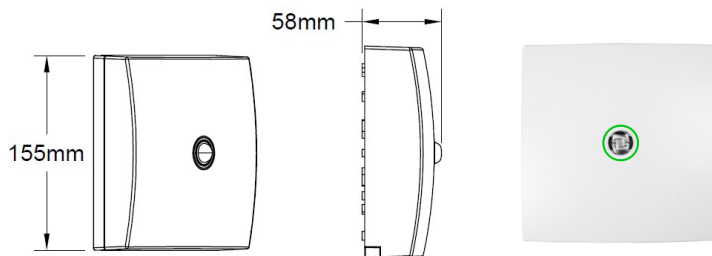
The product is supplied with one of a choice of LED emitters which offer varying arcs of illuminance. Please contact the Liteplan sales office for ldt files.

The control gear used in the DALI self-test version follows the DALI-2 protocol.

This unit will recharge the batteries after the test clause of 22.3 of BS EN 61347-2-7:2012

### Specification:

|                           |                                   |
|---------------------------|-----------------------------------|
| Input Voltage             | 230-240 Volts AC 50/60 Hz         |
| Basic Power (charging)    | 1.6W 17mA $\lambda = 0.40$        |
| Basic Power (charged)     | 0.2W 11mA $\lambda = 0.07$        |
| DALI Power (charging)     | 1.7W 14mA $\lambda = 0.50$        |
| DALI Power (charged)      | 0.3W 8mA $\lambda = 0.15$         |
| Duration                  | 3-hours                           |
| Max. Ambient Temp. Ta     | 25°C                              |
| Mains Input Terminal      | 0.5mm - 2.5mm (0.75mm Stranded)   |
| Recharge Period           | 24-hours                          |
| Battery Discharge Current | 900mA Nominal                     |
| Discharge Limit (DDP)     | 2.4V                              |
| Ingress Protection        | IP20                              |
| Battery Pack              | 3.2V 3.8Ah (LiFePO <sub>4</sub> ) |
| Battery Type              | IFpR27/67                         |
| Charge Current            | 225mA Nominal                     |
| Width and Depth           | 155mm x 155mm                     |
| Depth                     | 58mm                              |
| Cable Entry               | 20mm Centre Rear                  |
| Overall Weight (standard) | 0.4Kg                             |
| Overall Weight (DALI)     | 0.42Kg                            |
| Beam Angle (open area)    | 135°                              |
| Beam Angle (corridor)     | 115° x 155°                       |
| LED CCT                   | 5700K                             |



### Ordering codes:

#### Standard Operation:

CSW/1/NM/\*\* RAL 9016  
CSB/1/NM/\*\* RAL 9005

#### DALI-2 Self-test:

CSW/1/DA/\*\* RAL 9016  
CSB/1/DA/\*\* RAL 9005

#### LiteMesh Wireless Self-test:

CSW/1/LMEM/\*\* RAL 9016  
CSB/1/LMEM/\*\* RAL 9005

\*\* - OA for Open Area (268lm) or CO for Corridor (266lm)

### Important

It is recommended that this product is installed by a competent person ensuring the installation complies with the necessary standards. Liteplan accept no responsibility for injury, damage or loss, which may arise as a result of incorrect installation, operation or maintenance.

The product requires an un-switched supply for charging the battery.

ISOLATE MAINS SUPPLIES AND DISCONNECT THE BATTERY BEFORE INSTALLATION OR MAINTENANCE.

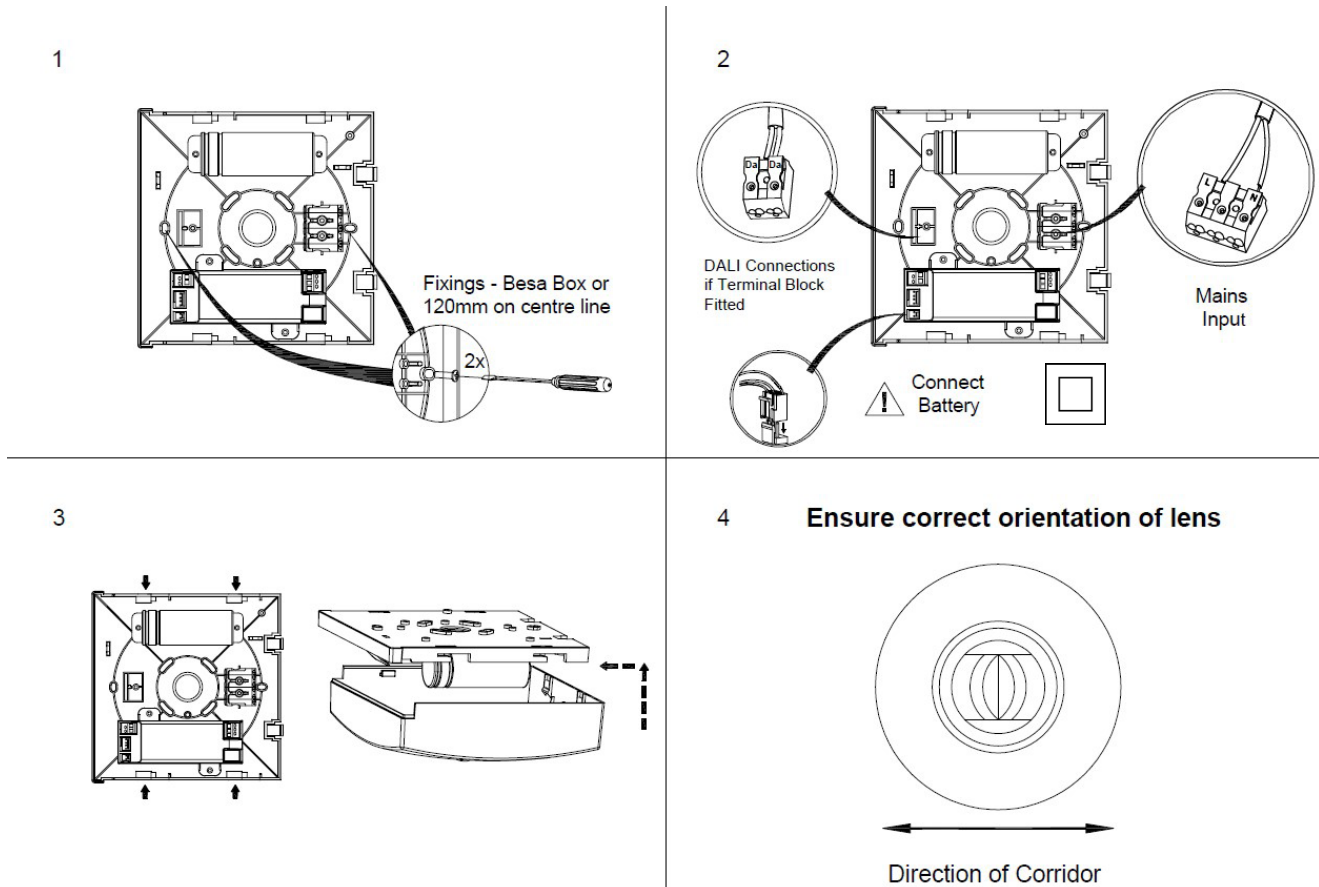
#### Installation:

1. Remove the cover off and mount the luminaire to either the ceiling or wall, using fixing points or Besa box fixing. For wall mounting ensure the battery is at the bottom of the luminaire.
2. Connect the mains supply as per wiring diagram shown on Pg. 2
3. If DALI terminal is present, connect DALI bus to the DA DA terminals.
4. Connect the battery.
5. Refit the cover into the retaining clips, ensuring no cables are trapped. Push into the points shown in diagram three on page 2 and slide into its locked state.
6. When mounting the corridor version please ensure that the lens is aligned along the corridor correctly. The longer part of the lens should follow the orientation of the corridor.

# Installation & Wiring Instructions

## Halo Surface Square - Standalone Emergency LED for Surface Mounting

**PLEASE READ** THESE INSTRUCTIONS BEFORE COMMENCING INSTALLATION & LEAVE WITH END USER



For a test record card, please visit this QR code link:



### Testing/Commissioning:

- Ensure the power is connected.
- Connect the battery.
- Switch on the Un-switched Supply - Check the Charge LED illuminates.
- Switch off the Un-switched Supply - Check the Charge LED extinguishes and the load LED illuminates.
- Enter the commissioning date on the Battery Pack.
- Switch on the Un-switched Supply