

CB5S/3W/M3 CB5S/3W/ST



ASSEMBLY INSTRUCTIONS

Tel +44 (0) 1708 372 223

www.liteplan.com

Technical Specification:

- Supply Voltage: 220-240V AC 50/60Hz
- Insulation Class: II
- Ingress Protection: IP65
- Emergency Duration: 3 hours
- Light Source: for M3 and ST version 3W
- Battery 6.4V 3.0Ah LiFePO4 for 3W M3 & ST
- Battery Recharge Time: 12h
- Max Battery Temperature: 55°C
- Ambient Temperature: 0 - 40°C
- Charge indicator: Green / Red LED
- Deep Discharge Protection DDP
- Self-Test version available
- Surface assembly
- Assembly indoors to flat surface
- Polycarbonate body
- Maintained or Non-Maintained Operation

Important:

It is recommended that the unit is installed by a competent person ensuring the installation complies with the necessary standards. The company accept no responsibility for incorrect installation, operation or maintenance. The unit requires an unswitched supply for charging the battery and a switched supply for a maintained unit. After installation of the fitting, the battery must be charged for 24 hours.

Testing / Commissioning:

Ensure the load is connected
Enter the commissioning date on battery pack and connect the battery
Switch on the unswitched supply – Check that the green charge LED illuminates
Switch on the maintained supply – Check that the fitting illuminates as normal
Switch off the maintained supply
Switch off the unswitched supply – Check that the green charge led extinguishes and the fitting illuminates
Switch on the unswitched supply

It is recommended that the batteries are renewed every 6 years.
The fitting is equipped with non-replaceable LED.

Self-Test Function:

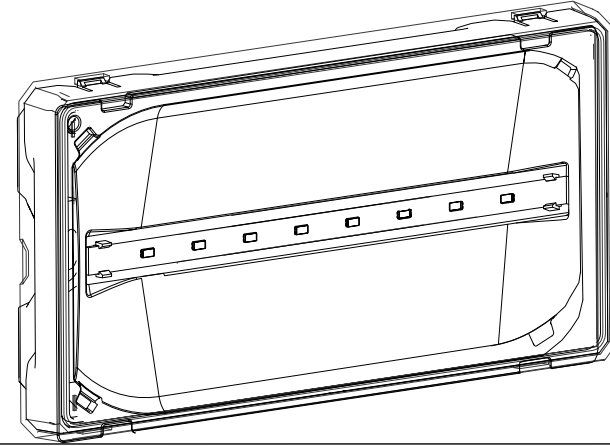
A Function Test automatically runs every 28 days. During this test the fitting is switched into emergency mode for 1 minute. During the test the battery discharge current is checked.
A Full Duration Test automatically runs every 364 days. During this test the fitting is switched into emergency mode for 3 hours. During the test the battery discharge current and battery voltage is checked

LED indication Chart

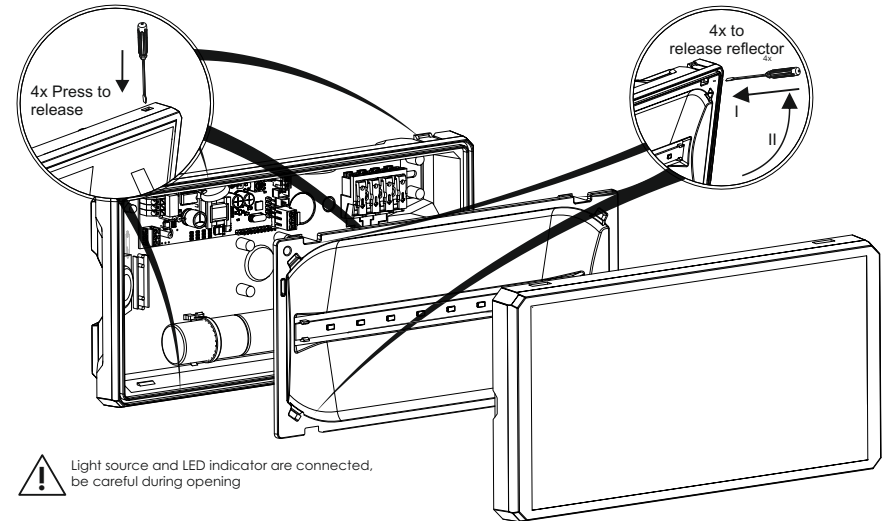
		ST	M3
Green Solid	Mains On No Fault	●	●
Green Flash	Function Test In Progress	0.2s On ● 2.2s Off	Not Applicable
	Duration Test In Progress	0.2s On ● 2.2s Off	Not Applicable
	Duration Test Passed	Not Applicable	Not Applicable
Red Solid	Lamp Fault	Not Applicable	Not Applicable
Red Flash	Battery Fault	0.5s On ● 3.0s Off	0.5s On ● 3.0s Off
	Lamp Fault	2 x 0.5s On ● 2.0s Off	Not Applicable
	Lamp & Battery Fault	3 x 0.5s On ● 1.0s Off	Not Applicable
	LED Driver Fault	Not Applicable	Not Applicable
LED Off	Mains Failure Battery OK	Off ○	Off ○
Red/Green Alternate	DALI Mode Identification	Not Applicable	Not Applicable



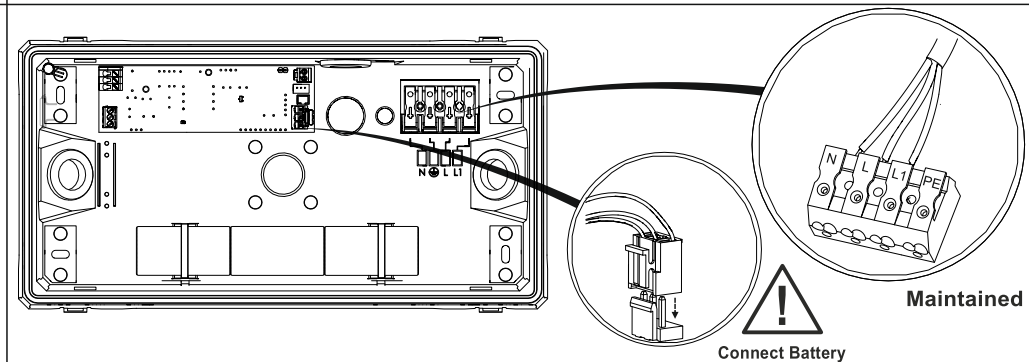
1 CB5S fitting



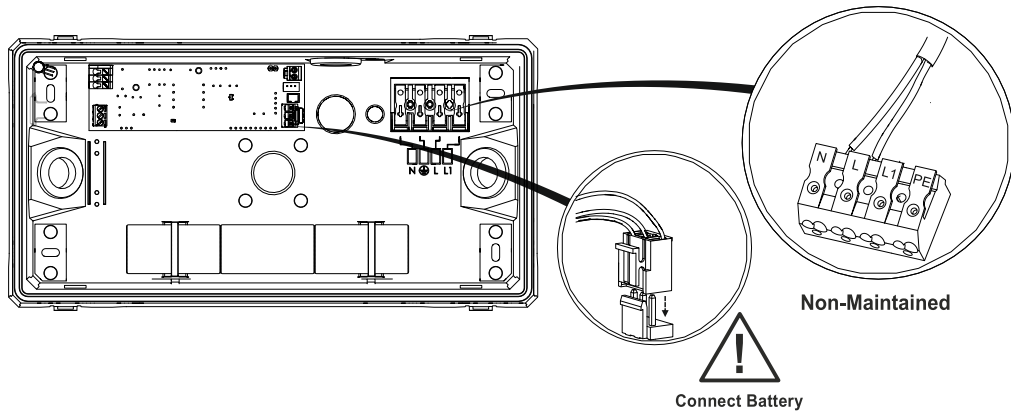
2 Disassembling the CB5S fitting



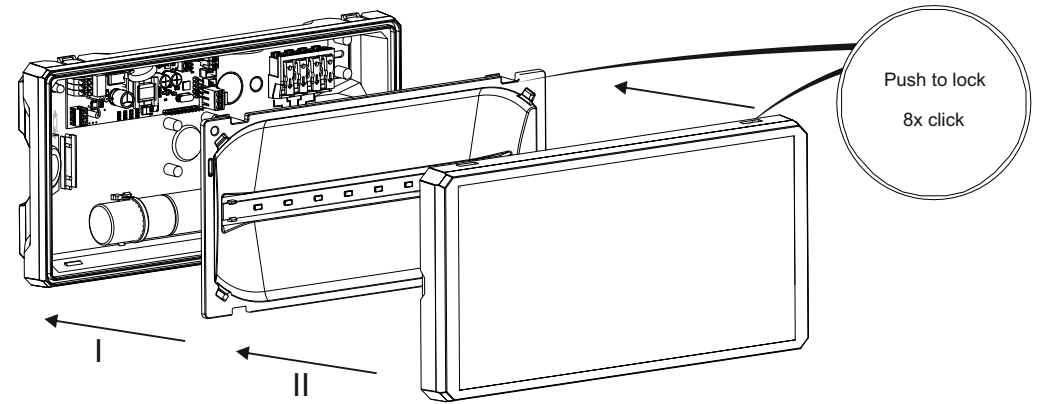
3 Connections for Maintained or Self-Test version



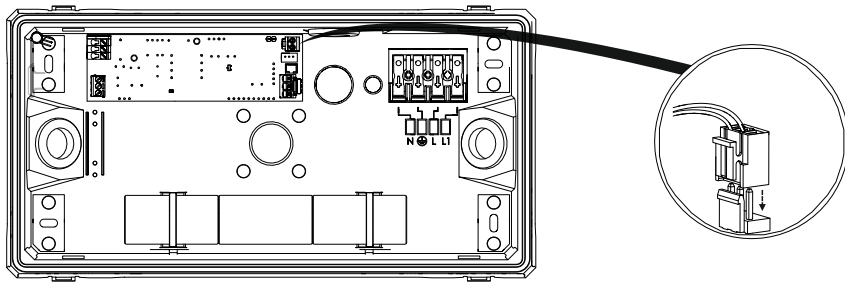
4 Connections for Non-Maintained or Self-Test version



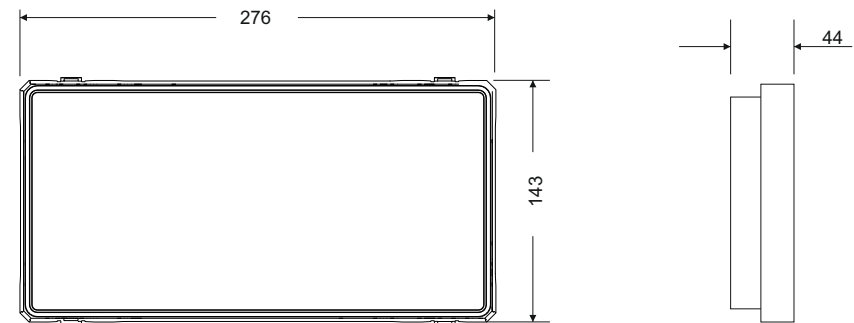
7 Assembly instruction



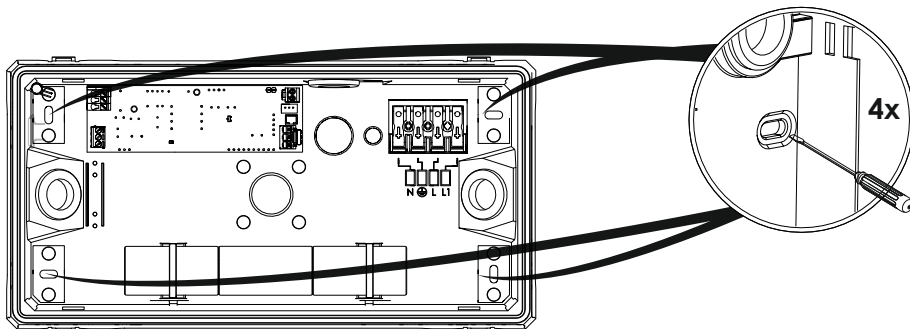
5 Light source connection



8 Dimensions



6 Mounting details



9 Additional guidelines

Guidelines for installation

- Ensure a permanent supply to connection L
- Ensure a switched supply connection L1
- For Non-Maintained use only L, do not connect to L1
- Ensure correct polarity of the battery
- The drawing in the fitting may vary to the actual product, connect as per label on fitting.
- When fitting a flush fitting, refer to installation instruction, including any ceiling manufacturer's instructions.